

# Skirting and Scotia Installation Guidelines

## Tips

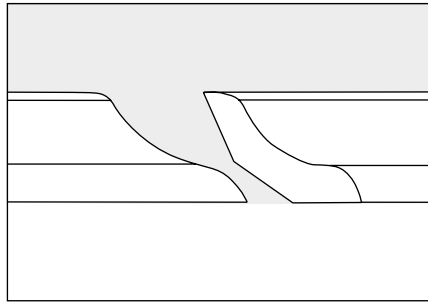
Before you begin, ensure all expansion gaps are free from debris as this may impair the longevity of an installation. Layout the lengths of scotia around the perimeter of the room, this will make it easier during the installation.

When cutting scotia, it is important to have the lengths the correct way prior to cutting. This is done by having the un-printed sides to the bottom and back of the mitre block. You should not be able to see the blank sides.

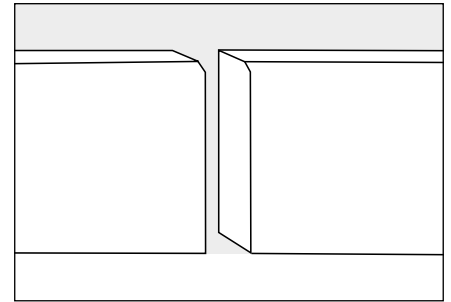
## Joining straight lengths

Take the two lengths of scotia/skirting and using a mitre block set at 45-degrees, cut the right-hand side of one length, and the left-hand side of length two. Ensure a good fit and apply mitre adhesive if required to the joint.

### Scotia



### Skirting

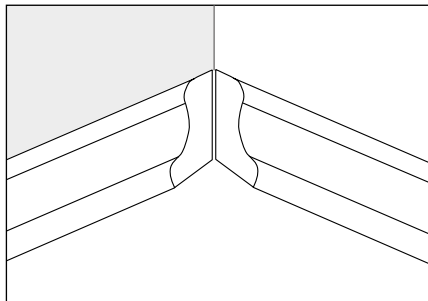


## Internal corners

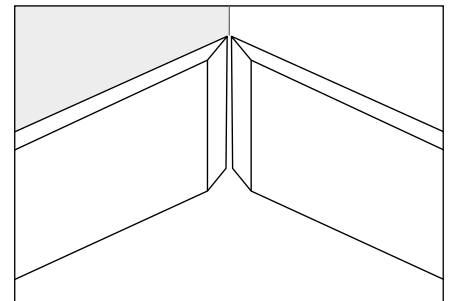
Take the two lengths of scotia/skirting and using a mitre block set at 45-degrees, cut the right-hand side of one length, and the left-hand side of length two. Ensure a good fit and apply mitre adhesive if required to the joint.

**Tip:** Working out from an internal corner provides greater accuracy and makes it easier to complete.

### Scotia



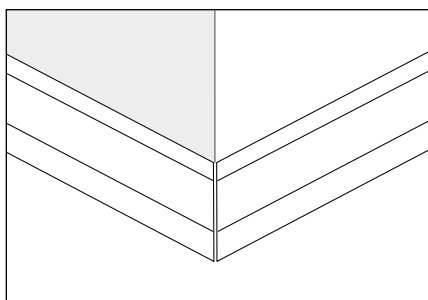
### Skirting



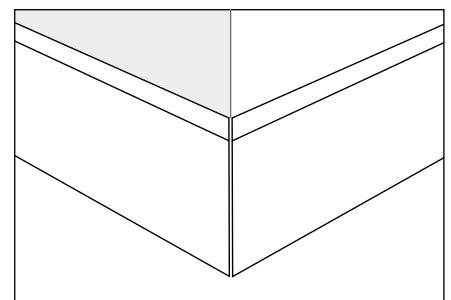
## External corners

Measure mark the scotia/skirting on the top where this protrudes past the corner. Using a mitre block cut a 45-degree angle. Repeat the process with the second length at the opposite side of the mitre block. Ensure correct fit and using mitre adhesive, secure the two lengths together.

### Scotia



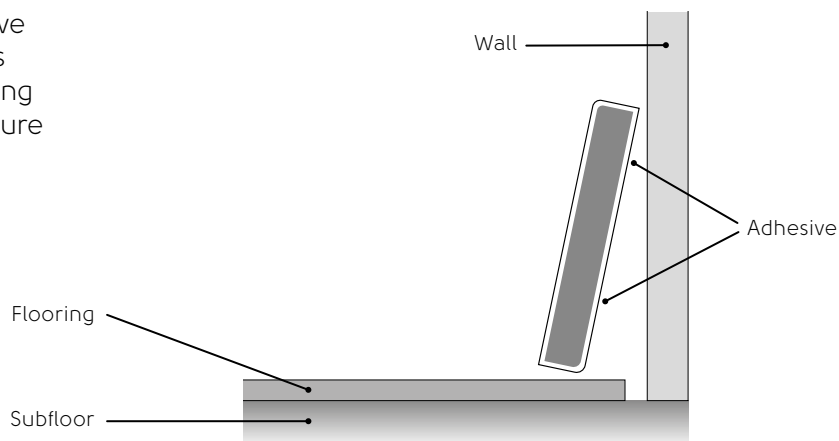
### Skirting



## Skirting installation instructions

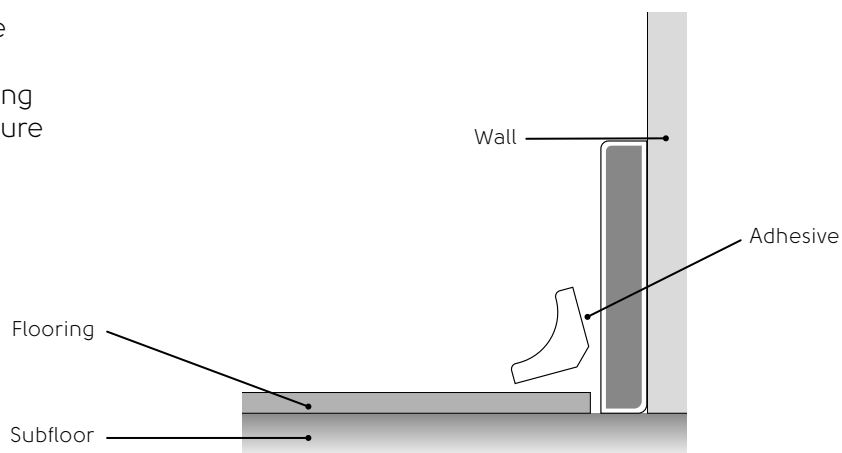
Apply two beads of cartridge/tube adhesive to the back of the skirting and firmly press against the wall and support with something heavy until the adhesive has cured to ensure it doesn't detach from the wall.

If required, use 18 gauge fine wire nails in the skirting every 450mm (16") going through the skirting into the wall.



## Scotia installation instructions

Apply a bead of a cartridge/tube adhesive to the back of the scotia and firmly press against the wall and support with something heavy until the adhesive has cured to ensure it doesn't detach from the wall.



Use finishing nails every 450mm (16") through the scotia into the skirting. Be sure to pre-drill any holes.

